

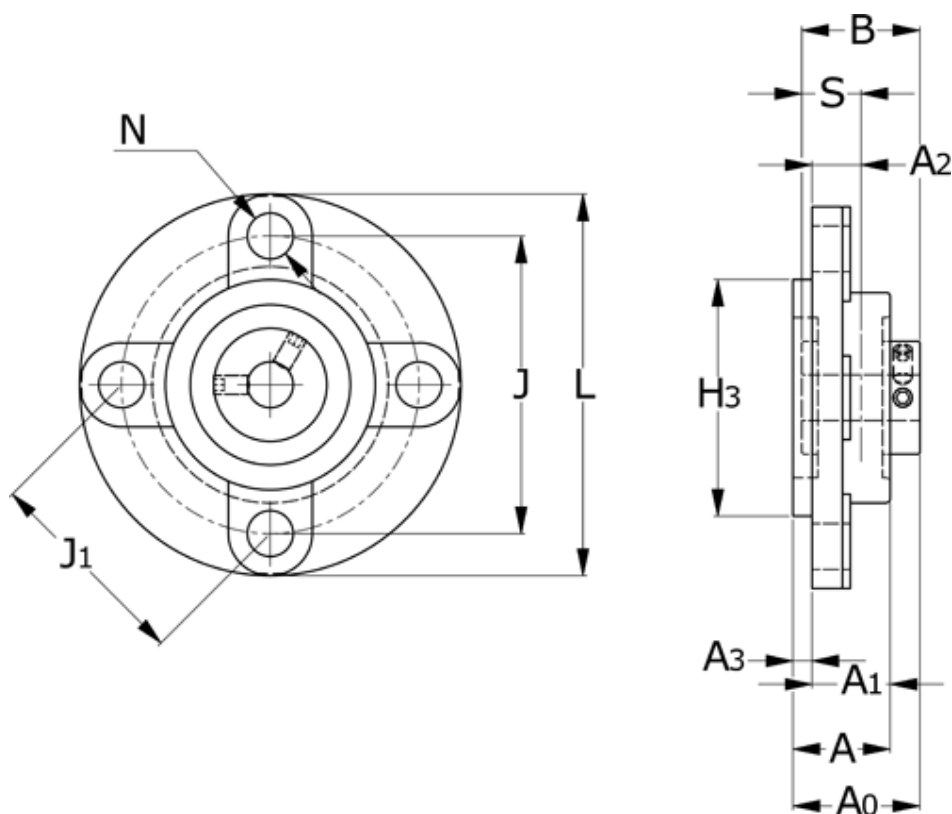
Data Sheet



Article number: 5725027211

Description: NSK Cirkular flange unit UCFC211D1

Measures



A = 43	J1 = 106.1
A0 = 58.4	L = 185
A1 = 31	N = 19
A2 = 13	S = 22.2
A3 = 12	Shaft = 55
B = 55.6	
H3 = 125	
J = 150	